

CRJ-02N

General Description

Coax rotary joint also could be called high frequency slip ring or connector, which is used for continuous rotation device to transmit hi-frequency signal between fix part and rotary part. This kind of rotary joint can be an element which installed on the cable or instrument as transmitting or breaking the line of electrical connections. The max frequency range reach up to 40GHz (or higher) analog signal and high speed digital signal.



Features:

1. Small size & light weight
2. Channels could be up to 18
3. Frequency range can reach to 40GHz or higher
4. Low attenuation loss and low wear
5. Can not be used in high work speed application
6. Longer life time & maintenance free

Option:

1. Channels
2. Electrical part combines with coax rotary joint
3. Support broadband signal and SDI signal
4. Cable length and size
5. 50Ω and 75Ω impedance are optional

Application:

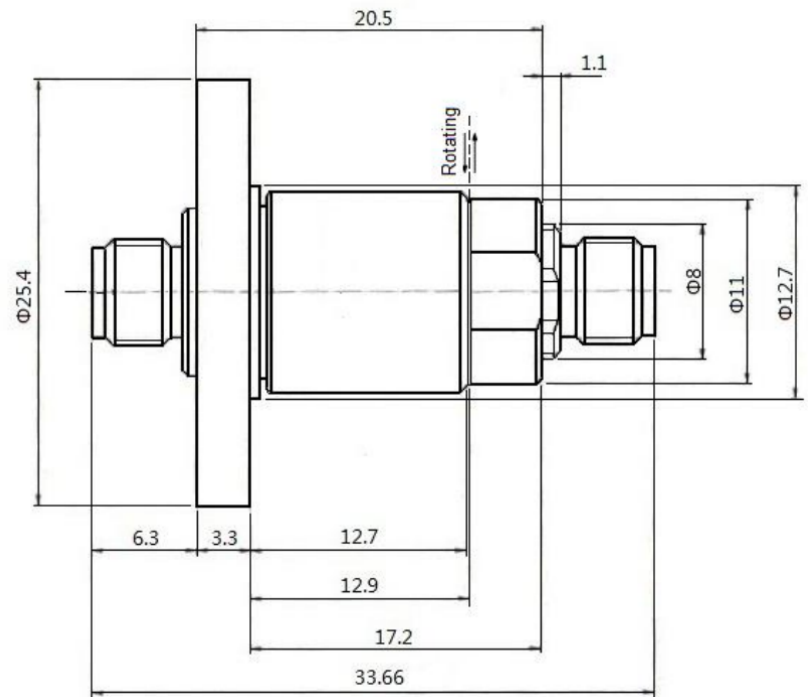
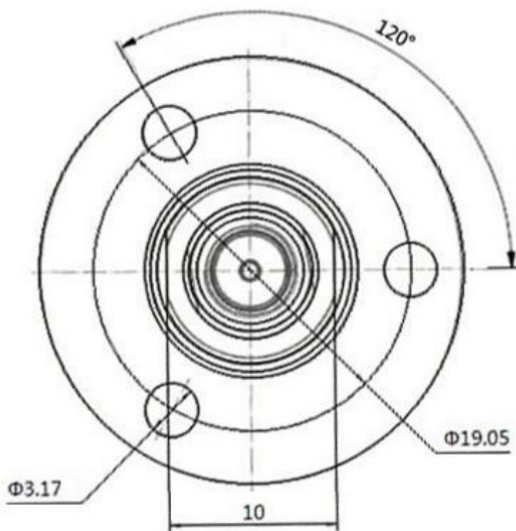
1. Radar & antenna
2. Satellite communication system
3. Analog high frequency electronic system
4. CCTV & video monitoring device
5. Military system equipment

Specification:

Specification	
Channel	1 channel
Frequency Range	0-18GHz
Specific Impedance	50Ω
Average Loading Power	500W @ 1GHz 200W @ 6GHz 100W @ 12GHz 30W @ 18GHz
Peak Power (Max)	3kW Max
Contact Materials	Beryllium Copper
Insertion Loss(Max)	0.25dB @ 0-10GHz 0.30dB @ 10-18GHz
Insertion Loss WOW (Max)	0.05dB
VSWR (Max)	1.3dB @ 0-10GHz 1.4dB @ 10-18GHz
VSWR-WOW (Max)	0.05
Phase WOW (Max)	1 degree
Work Temperature	-55 C -+85 C
Work Humidity	95%RH or higher
Work Speed	500RPM Max
Starting Torque (Max)	0.05Ncm
Housing Material	Gold Plate
Protection	IP40

Drawing:

2



If you have specific customized requirement, please feel free to consult us so that our sales engineer could recommend the most suitable product to you for you reference.