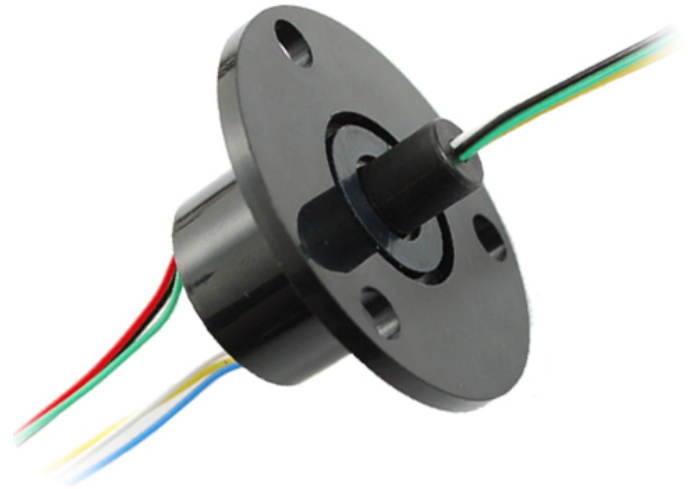


22mm Capsule Slip Ring



General Description

Capsule slip ring enjoys the main feature of compact design which could provide signal/power combination circuits (Ethernet, USB, RS, Canbus, video, sensor, power, control,etc.) The standard diameter of this series can be from 8mm-35mm, also it adopts advanced standard military degree surface processing technology to meet the demand of every customer. Gold to gold contact materials could make sure low electrical noise and longer work life time, specially suit for small and medium size equipment to transmit weak signal.

Features:

1. Gold to gold contact materials guarantee long life time
2. Low torque, low electrical noise and smooth rotation
3. Small compact construction
4. Compatible with data bus protocols
5. Continuous transmission of signal and/or data under 360 degree unrestrained rotation

Option:

1. Circuits
2. Current & Voltage
3. Work speed
4. Housing materials and color
5. Protection degree
6. Lead wire exit direction
7. Connector type
8. Signal and power transmission single or together

Application:

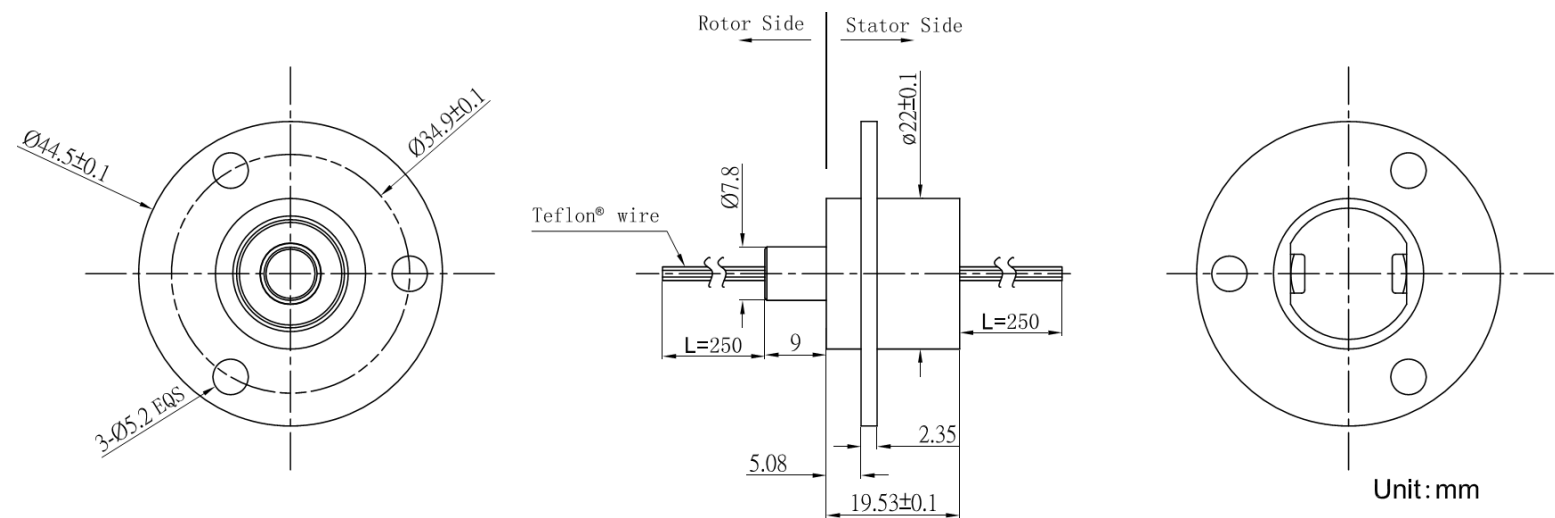
1. CCTV
2. Rotary table, exhibition/display equipment
3. Robotics
4. Medical equipment
5. Wind turbine generator
6. Industry process equipment

THR022-06AC

Specification:

Specification	
Circuits	6 circuits
Work Speed	0-300RPM
Work Temperature	-20℃ -+60℃
Work Humidity	60%RH or higher
Voltage Rating	240VAC/DC
Current Rating	2A per circuit
Dielectric Strength	500VAC@50Hz between each circuit
Insulation Resistance	1000MΩ@500VDC
Electrical Noise	1mΩ Min
Contact Materials	Gold to gold
Lead Wire Size	AWG28 Teflon® UL
Lead Wire Length	Standard 250mm
Housing Materials	Engineering plastic
Torque	≤0.88 gm (for reference)
Protection	IP54 or higher

Drawing:



If you have specific customized requirement, please feel free to consult us so that our sales engineer could recommend the most suitable product to you for you reference.

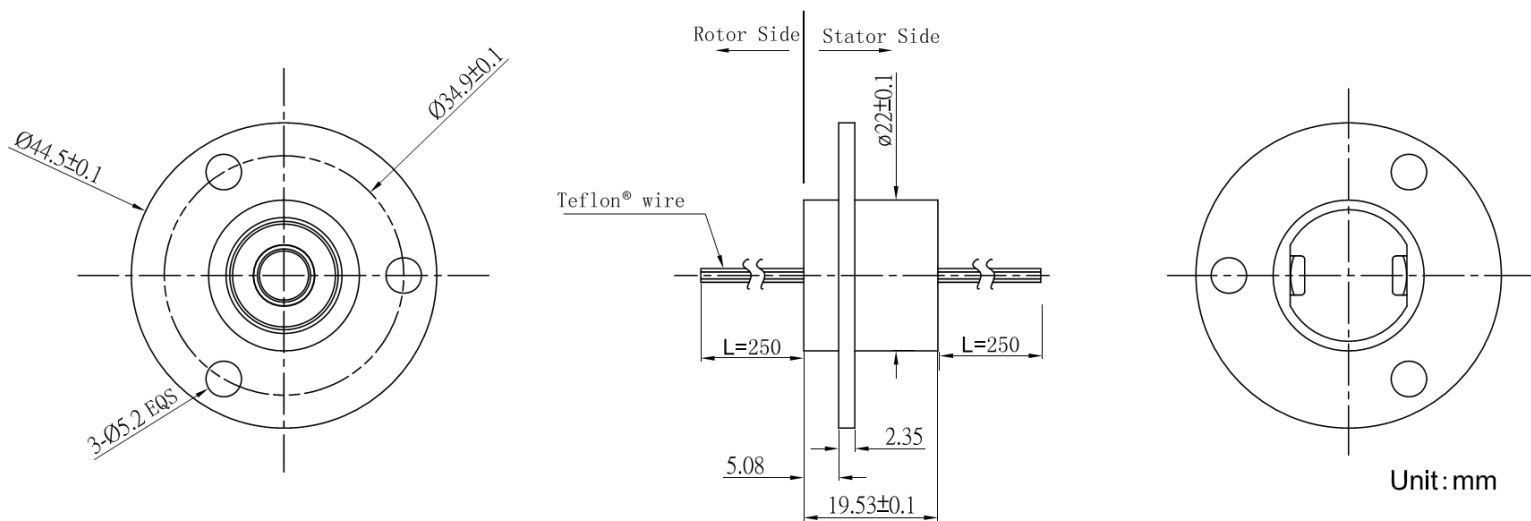
THR022-06BC

Specification:

Specification	
Circuits	6 circuits
Work Speed	0-300RPM
Work Temperature	-20 C -+60 C
Work Humidity	60%RH or higher
Voltage Rating	240VAC/DC
Current Rating	2A per circuit
Dielectric Strength	500VAC@50Hz between each circuit
Insulation Resistance	1000MΩ@500VDC
Electrical Noise	1mΩ Min
Contact Materials	Gold to gold
Lead Wire Size	AWG28 Teflon® UL
Lead Wire Length	Standard 250mm
Housing Materials	Engineering plastic
Torque	≤0.88 gm (for reference)
Protection	IP54 or higher

3

Drawing:



Unit: mm

If you have specific customized requirement, please feel free to consult us so that our sales engineer could recommend the most suitable product to you for you reference.

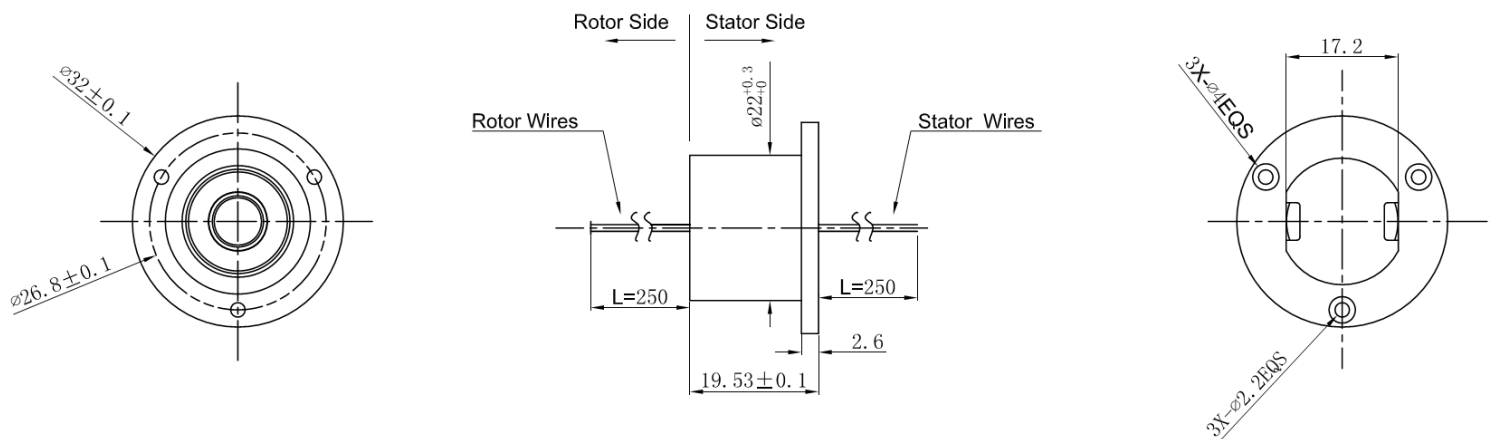
THR022-06CC

Specification:

Specification	
Circuits	6 circuits
Work Speed	0-300RPM
Work Temperature	-20℃ -+60℃
Work Humidity	60%RH or higher
Voltage Rating	240VAC/DC
Current Rating	2A per circuit
Dielectric Strength	500VAC@50Hz between each circuit
Insulation Resistance	1000MΩ@500VDC
Electrical Noise	1mΩ Min
Contact Materials	Gold to gold
Lead Wire Size	AWG28 Teflon® UL
Lead Wire Length	Standard 250mm
Housing Materials	Engineering plastic
Torque	≤0.88 gm (for reference)
Protection	IP54 or higher

4

Drawing:



Unit:mm

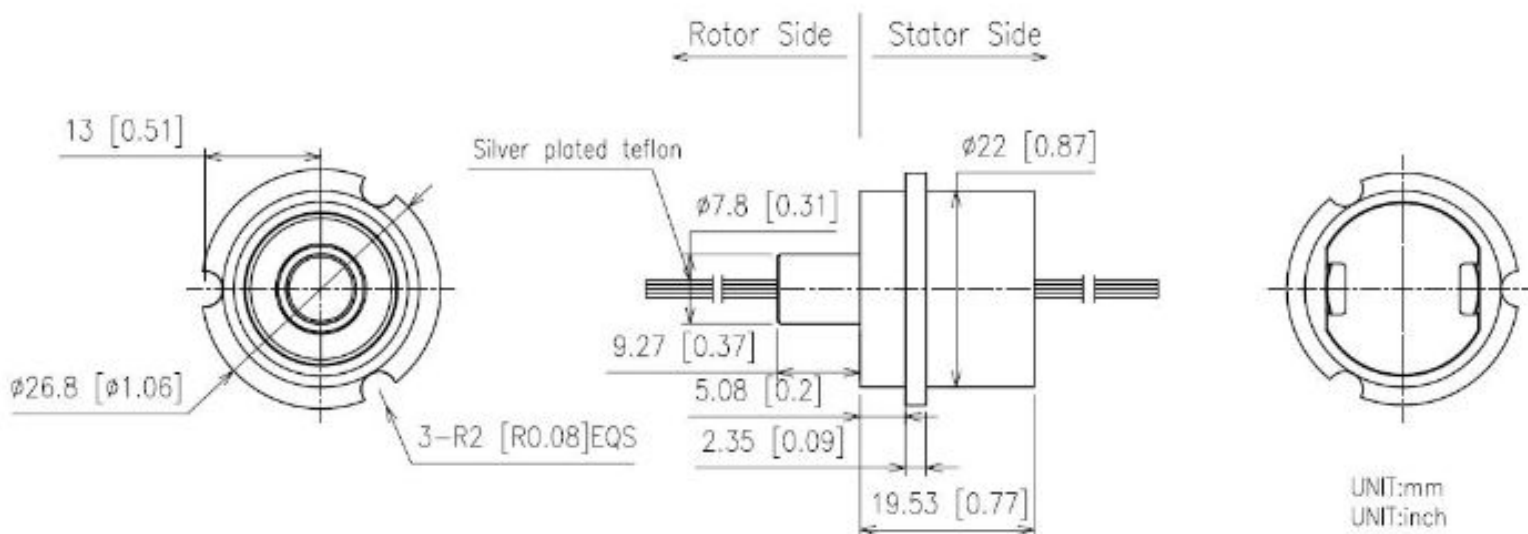
If you have specific customized requirement, please feel free to consult us so that our sales engineer could recommend the most suitable product to you for you reference.

THR022-06EC

Specification:

Specification	
Circuits	6 circuits
Work Speed	0-300RPM
Work Temperature	-20 C -+60 C
Work Humidity	60%RH or higher
Voltage Rating	240VAC/DC
Current Rating	2A per circuit
Dielectric Strength	500VAC@50Hz between each circuit
Insulation Resistance	1000MΩ@500VDC
Electrical Noise	1mΩ Min
Contact Materials	Gold to gold
Lead Wire Size	AWG28 Teflon® UL
Lead Wire Length	Standard 250mm
Housing Materials	Engineering plastic
Torque	≤0.88 gm (for reference)
Protection	IP54 or higher

Drawing:



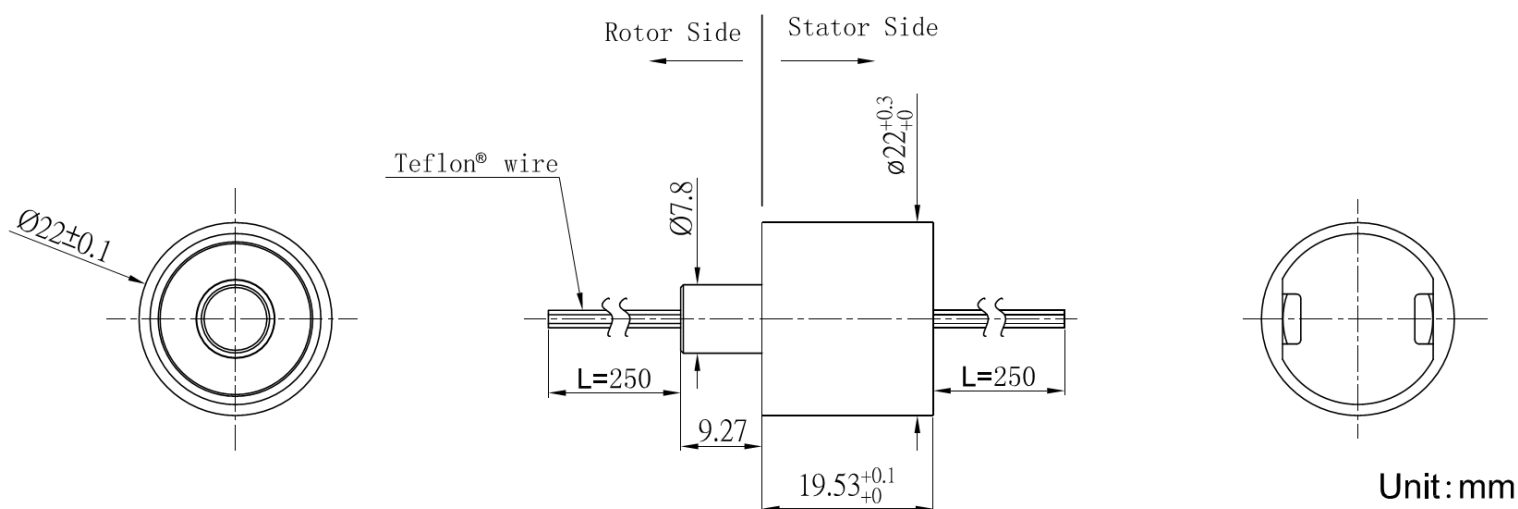
If you have specific customized requirement, please feel free to consult us so that our sales engineer could recommend the most suitable product to you for your reference.

THR022-06UC

Specification:

Specification	
Circuits	6 circuits
Work Speed	0-300RPM
Work Temperature	-20℃ -+60℃
Work Humidity	60%RH or higher
Voltage Rating	240VAC/DC
Current Rating	2A per circuit
Dielectric Strength	500VAC@50Hz between each circuit
Insulation Resistance	1000MΩ@500VDC
Electrical Noise	1mΩ Min
Contact Materials	Gold to gold
Lead Wire Size	AWG28 Teflon® UL
Lead Wire Length	Standard 250mm
Housing Materials	Engineering plastic
Torque	≤0.88 gm (for reference)
Protection	IP54 or higher

Drawing:



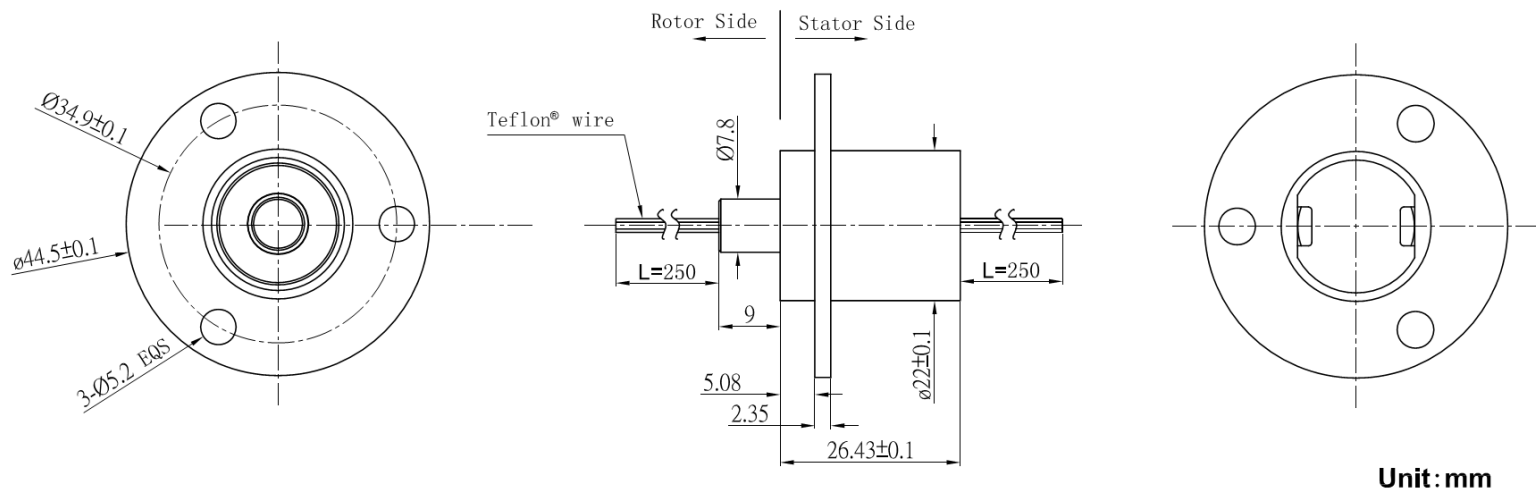
If you have specific customized requirement, please feel free to consult us so that our sales engineer could recommend the most suitable product to you for you reference.

THR022-08AC

Specification:

Specification	
Circuits	8 circuits
Work Speed	0-300RPM
Work Temperature	-20℃ -+60℃
Work Humidity	60%RH or higher
Voltage Rating	240VAC/DC
Current Rating	2A per circuit
Dielectric Strength	500VAC@50Hz between each circuit
Insulation Resistance	1000MΩ@500VDC
Electrical Noise	1mΩ Min
Contact Materials	Gold to gold
Lead Wire Size	AWG28 Teflon® UL
Lead Wire Length	Standard 250mm
Housing Materials	Engineering plastic
Torque	≤0.88 gm (for reference)
Protection	IP54 or higher

Drawing:



If you have specific customized requirement, please feel free to consult us so that our sales engineer could recommend the most suitable product to you for you reference.

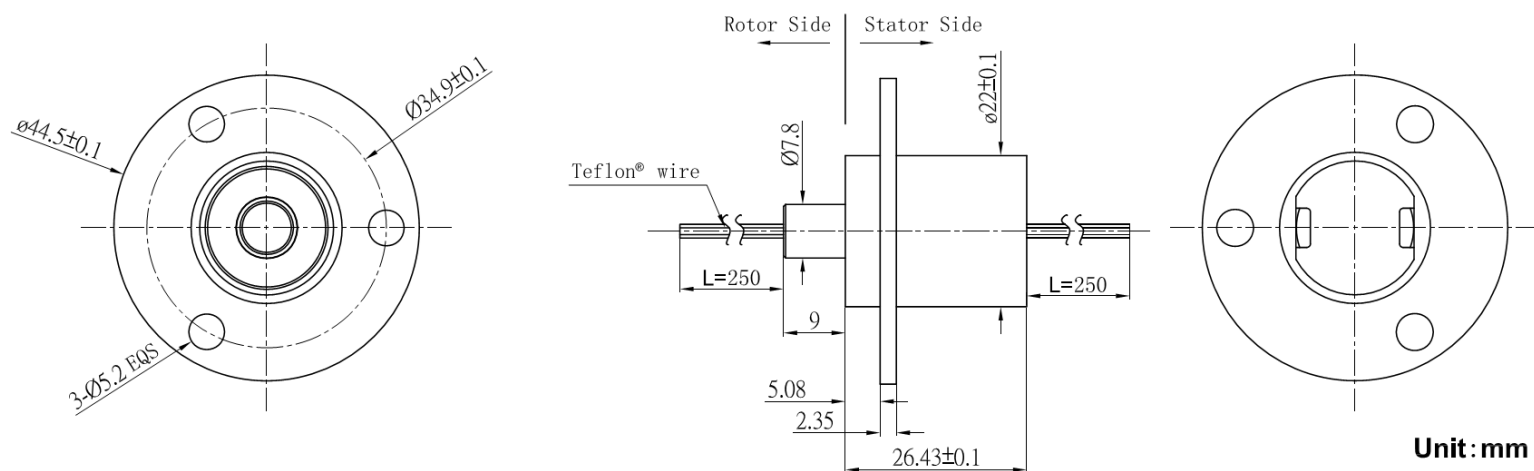
THR022-12AC

Specification:

Specification	
Circuits	12 circuits
Work Speed	0-300RPM
Work Temperature	-20 C -+60 C
Work Humidity	60%RH or higher
Voltage Rating	240VAC/DC
Current Rating	2A per circuit
Dielectric Strength	500VAC@50Hz between each circuit
Insulation Resistance	1000MΩ@500VDC
Electrical Noise	1mΩ Min
Contact Materials	Gold to gold
Lead Wire Size	AWG28 Teflon® UL
Lead Wire Length	Standard 250mm
Housing Materials	Engineering plastic
Torque	≤0.88 gm (for reference)
Protection	IP54 or higher

8

Drawing:



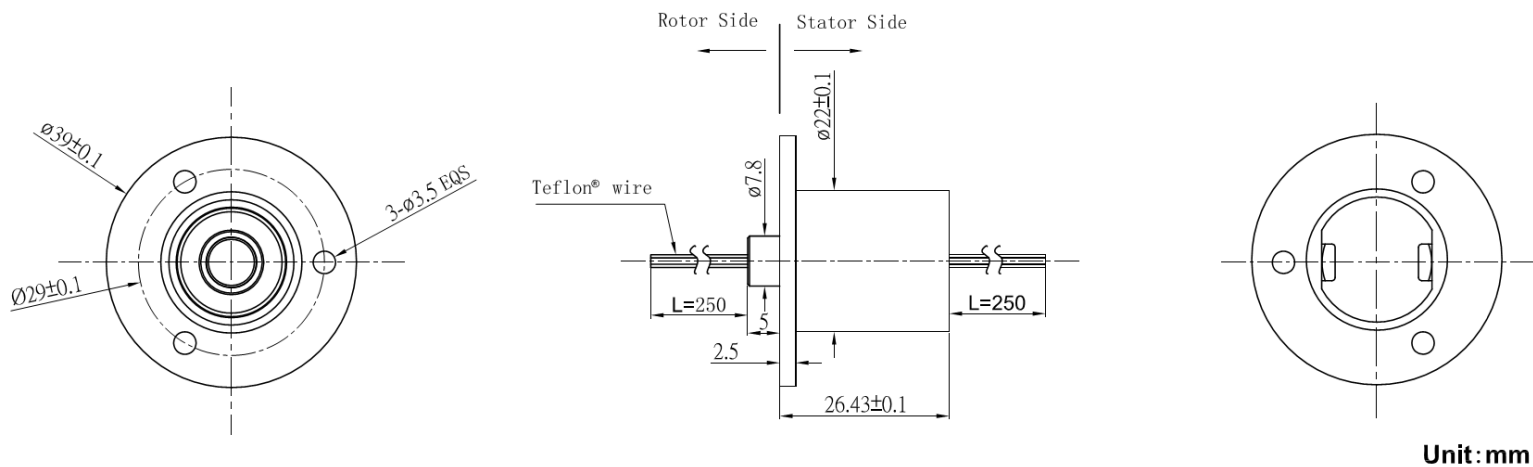
If you have specific customized requirement, please feel free to consult us so that our sales engineer could recommend the most suitable product to you for you reference.

THR022-12FC

Specification:

Specification	
Circuits	12 circuits
Work Speed	0-300RPM
Work Temperature	-20℃ -+60℃
Work Humidity	60%RH or higher
Voltage Rating	240VAC/DC
Current Rating	2A per circuit
Dielectric Strength	500VAC@50Hz between each circuit
Insulation Resistance	1000MΩ@500VDC
Electrical Noise	1mΩ Min
Contact Materials	Gold to gold
Lead Wire Size	AWG28 Teflon® UL
Lead Wire Length	Standard 250mm
Housing Materials	Engineering plastic
Torque	≤0.88 gm (for reference)
Protection	IP54 or higher

Drawing:



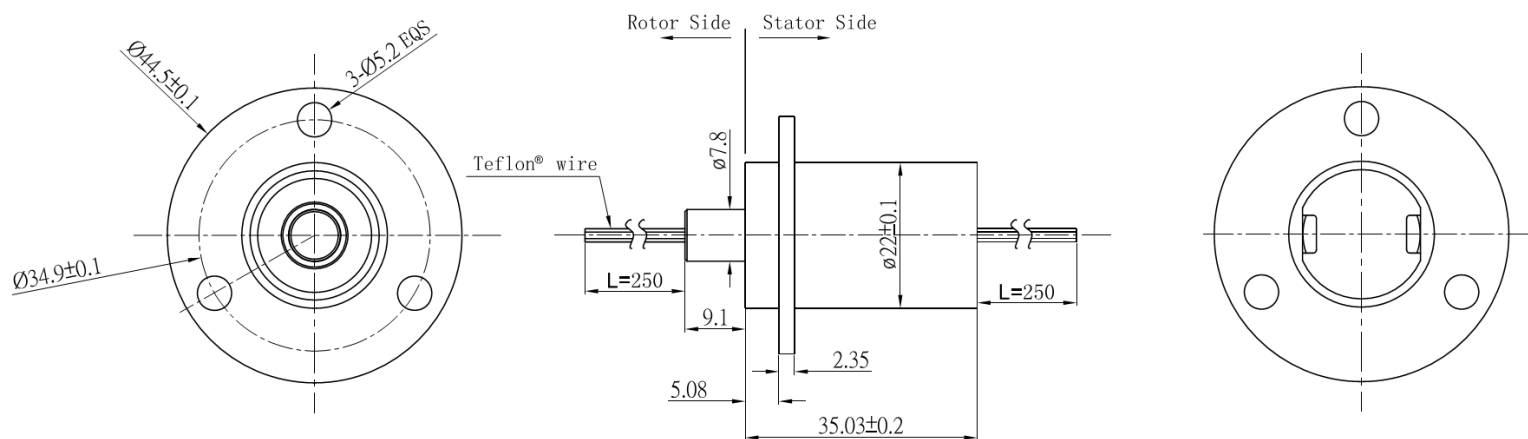
If you have specific customized requirement, please feel free to consult us so that our sales engineer could recommend the most suitable product to you for you reference.

THR022-18AC

Specification:

Specification	
Circuits	18 circuits
Work Speed	0-300RPM
Work Temperature	-20 ℃ -+60 ℃
Work Humidity	60%RH or higher
Voltage Rating	240VAC/DC
Current Rating	2A per circuit
Dielectric Strength	500VAC@50Hz between each circuit
Insulation Resistance	1000MΩ@500VDC
Electrical Noise	1mΩ Min
Contact Materials	Gold to gold
Lead Wire Size	AWG28 Teflon® UL
Lead Wire Length	Standard 250mm
Housing Materials	Engineering plastic
Torque	≤0.88 gm (for reference)
Protection	IP54 or higher

Drawing:



Unit : mm

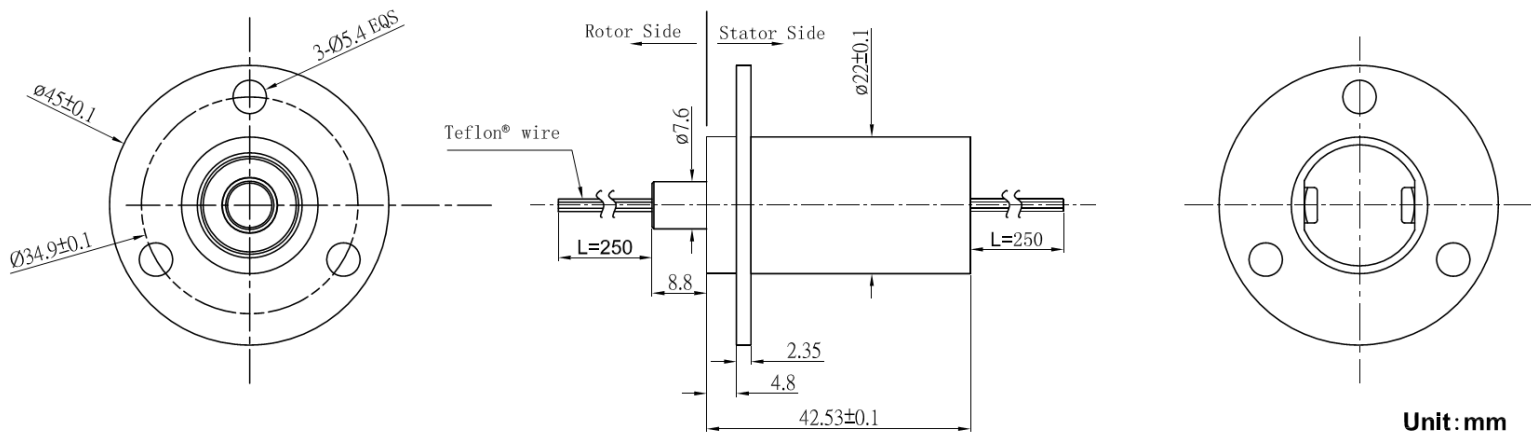
If you have specific customized requirement, please feel free to consult us so that our sales engineer could recommend the most suitable product to you for your reference.

THR022-24AC

Specification:

Specification	
Circuits	24 circuits
Work Speed	0-300RPM
Work Temperature	-20℃ -+60℃
Work Humidity	60%RH or higher
Voltage Rating	240VAC/DC
Current Rating	2A per circuit
Dielectric Strength	500VAC@50Hz between each circuit
Insulation Resistance	1000MΩ@500VDC
Electrical Noise	1mΩ Min
Contact Materials	Gold to gold
Lead Wire Size	AWG28 Teflon® UL
Lead Wire Length	Standard 250mm
Housing Materials	Engineering plastic
Torque	≤0.88 gm (for reference)
Protection	IP54 or higher

Drawing:



Unit: mm

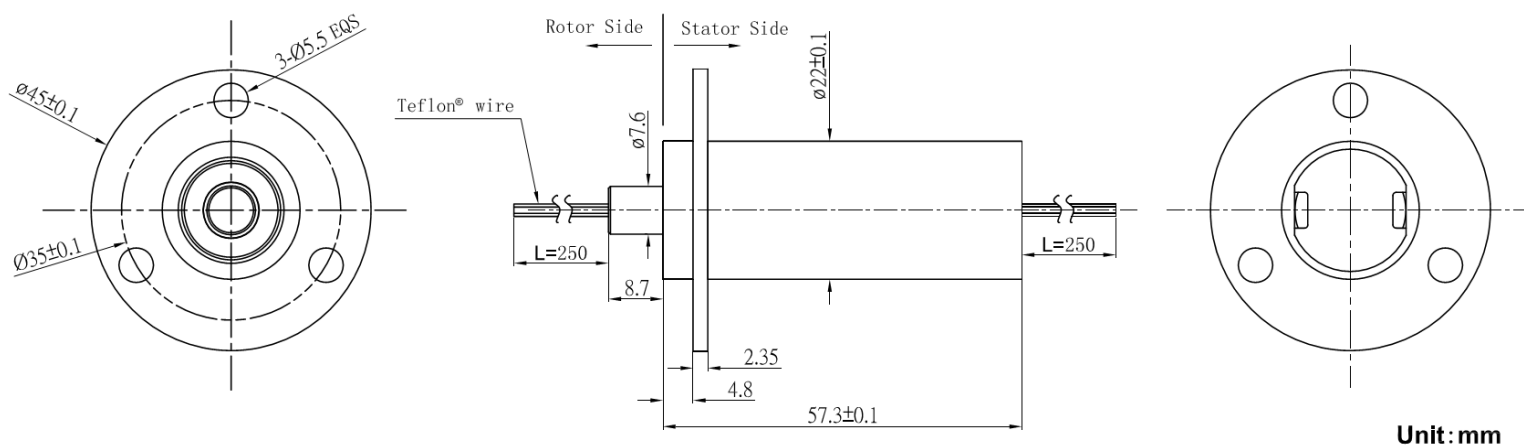
If you have specific customized requirement, please feel free to consult us so that our sales engineer could recommend the most suitable product to you for your reference.

THR022-36AC

Specification:

Specification	
Circuits	36 circuits
Work Speed	0-300RPM
Work Temperature	-20 °C -+60 °C
Work Humidity	60%RH or higher
Voltage Rating	240VAC/DC
Current Rating	2A per circuit
Dielectric Strength	500VAC@50Hz between each circuit
Insulation Resistance	1000MΩ@500VDC
Electrical Noise	1mΩ Min
Contact Materials	Gold to gold
Lead Wire Size	AWG28 Teflon® UL
Lead Wire Length	Standard 250mm
Housing Materials	Engineering plastic
Torque	≤0.88 gm (for reference)
Protection	IP54 or higher

Drawing:



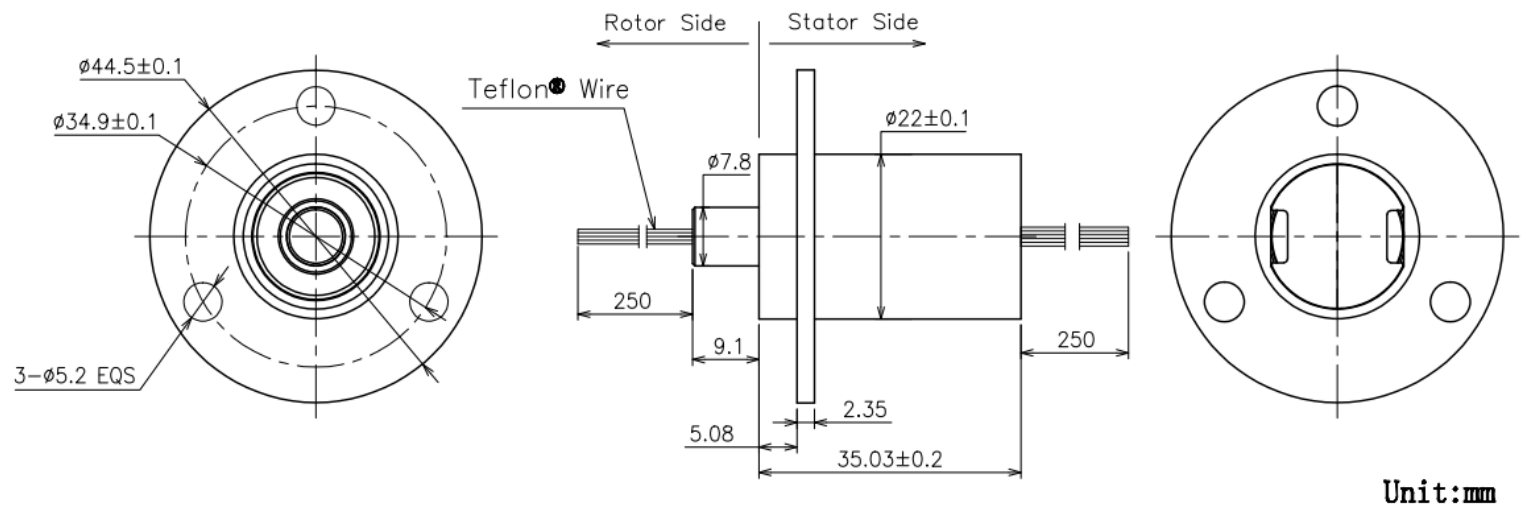
If you have specific customized requirement, please feel free to consult us so that our sales engineer could recommend the most suitable product to you for you reference.

THR022-0315

Specification:

Specification	
Circuits	3 circuits
Work Speed	0-300RPM
Work Temperature	-20 C -+60 C
Work Humidity	60%RH or higher
Voltage Rating	240-380VAC/DC
Current Rating	15A
Dielectric Strength	500VAC@50Hz between each circuit
Insulation Resistance	1000MΩ@500VDC
Electrical Noise	≤10mΩ
Contact Materials	Precious metal
Lead Wire Size	AWG14-16 Teflon® UL
Lead Wire Length	Standard 250mm
Housing Materials	Engineering plastic
Protection	IP54 or higher

Drawing:



If you have specific customized requirement, please feel free to consult us so that our sales engineer could recommend the most suitable product to you for you reference.