

THR-012T

Through Bore Slip Ring

General Description

Through hole slip rings are slip ring with through bore, this series are designed for being installed with flange on a sleeve bracket, also they totally meet with continuous transmission of power and/or signal under 360 degree unrestrained rotations. This kind of slip ring applies the best advanced fiber brush technology and precious metal multi-contacting, low noise, low contact pressure and maintenance free. Our standard through hole size could be from 12.7mm- 190mm are optional, the standard circuits are 6 rings, 12 rings, 18 rings and 24 rings are available, the current can be alternative from 2A-800A. Standardized & modularized design, we could fully customize the best suitable product according to the special requirement of customer.

Features:

- 1.Modular design & compact design
- 2.Transmit various analog and digital signal
- 3.Low wear and long work life time
- 4.Compatible with data bus protocols
- 5.360 degree continuous rotary power transmission or data signal

Option:

- 1.Current & Voltage
- 2.Circuits
- 3.Inner diameter, outer diameter and length
- 4.Work speed
- 5.Housing material and color
- 6.Protection degree
- 7.Lead wire exit direction
- 8.Lead wire length
- 9.Connector type
- 10.Signal and power transmitted single or together



Application

- 1.Radar, antenna, robotics
- 2.Turn table, rotary sensor
- 3.Engineering machinery equipment, cable wheel, test machine
- 4.Packing machine, medical equipment
- 5.Handling process control equipment
- 6.Military equipment
- 7.Wind turbine generator
- 8.Emergency lighting machine, exhibition/display equipment

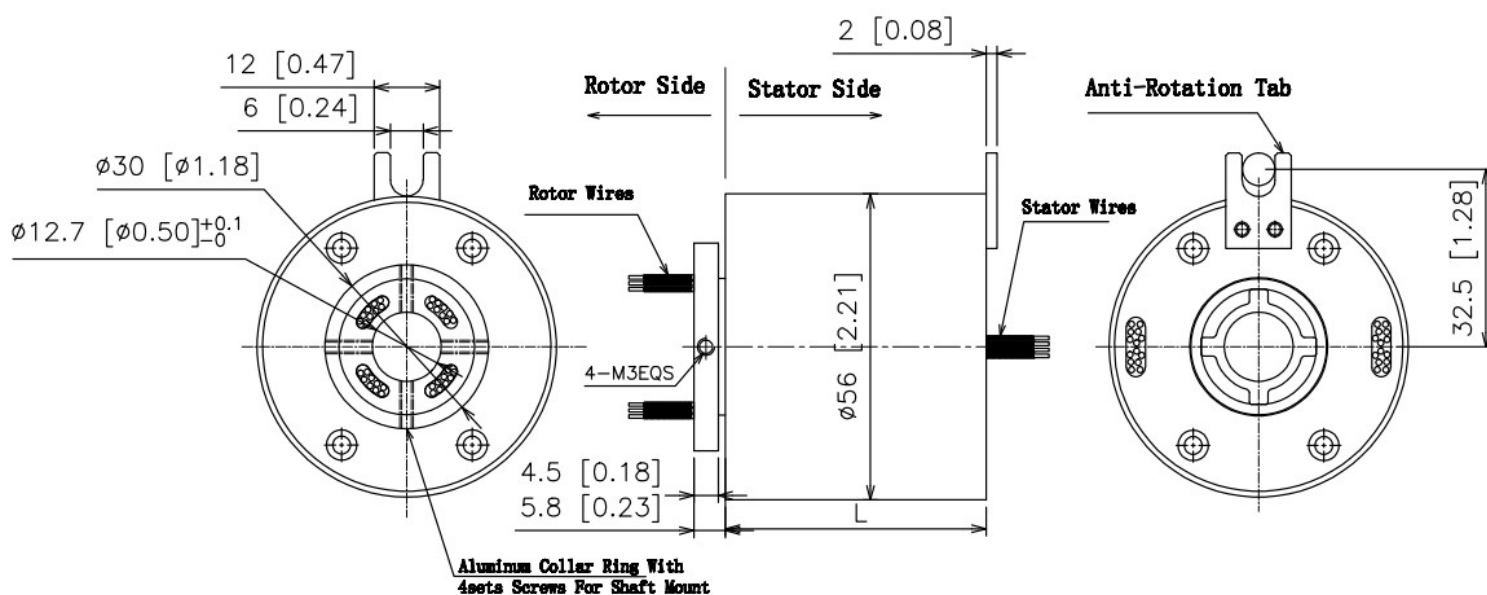
Specification:

Specification	
Circuits	1-24 circuits
Work Speed	0-500RPM
Work Temperature	-20 C - +60 C
Work Humidity	60%RH or higher
Voltage Rating	380VAC/DC
Current Rating	5A/10A
Dielectric Strength	≥1000VAC@50Hz between each circuit
Insulation Resistance	1000MΩ@500VDC
Electrical Noise	1mΩ Min
Contact Materials	Precious metal
Lead Wire Size	Teflon® UL
Lead Wire Length	Standard 300mm
Housing Materials	Aluminum alloy
Torque	≤9.25 gm (for reference)
Protection	IP54 or higher

Length of Slip Ring(mm)				
Current	6 circuits	12 circuits	18 circuits	24 circuits
5A	34	47.8	61.6	75.4
10A	37	53.8	70.6	87.4

Remarks: More bigger current or circuits, please feel free to contact with us.

Drawing:



If you have specific customized requirement, please feel free to consult us so that our sales engineer could recommend the most suitable product to you for you reference.