

## THR016-24AM

### General Description

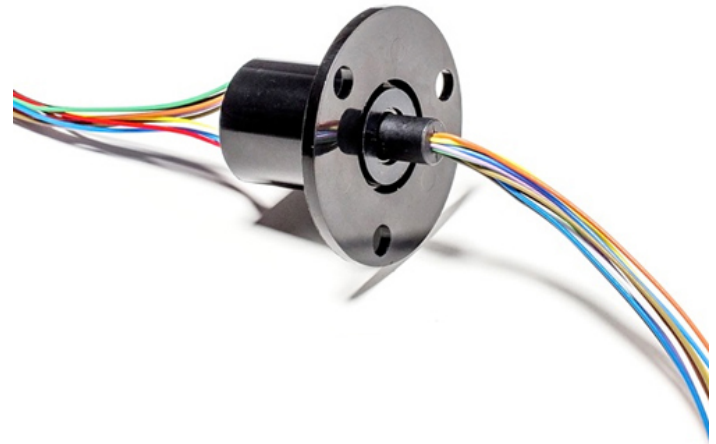
Capsule slip ring enjoys the main feature of compact design which could provide signal/power combination circuits ( Ethernet, USB, RS, Canbus, video, sensor, power, control,etc. ) The standard diameter of this series can be from 8mm-35mm, also it adopts advanced standard military degree surface processing technology to meet the demand of every customer. Gold to gold contact materials could make sure low electrical noise and longer work life time, specially suit for small and medium size equipment to transmit weak signal.

### Features:

1. Gold to gold contact materials guarantee long life time
2. Low torque, low electrical noise and smooth rotation
3. Small compact construction
4. Compatible with data bus protocols
5. Continuous transmission of signal and/or data under 360 degree unrestrained rotation

### Option:

1. Circuits
2. Current & Voltage
3. Work speed
4. Housing materials and color
5. Protection degree
6. Lead wire exit direction
7. Connector type
8. Signal and power transmission single or together



### Application:

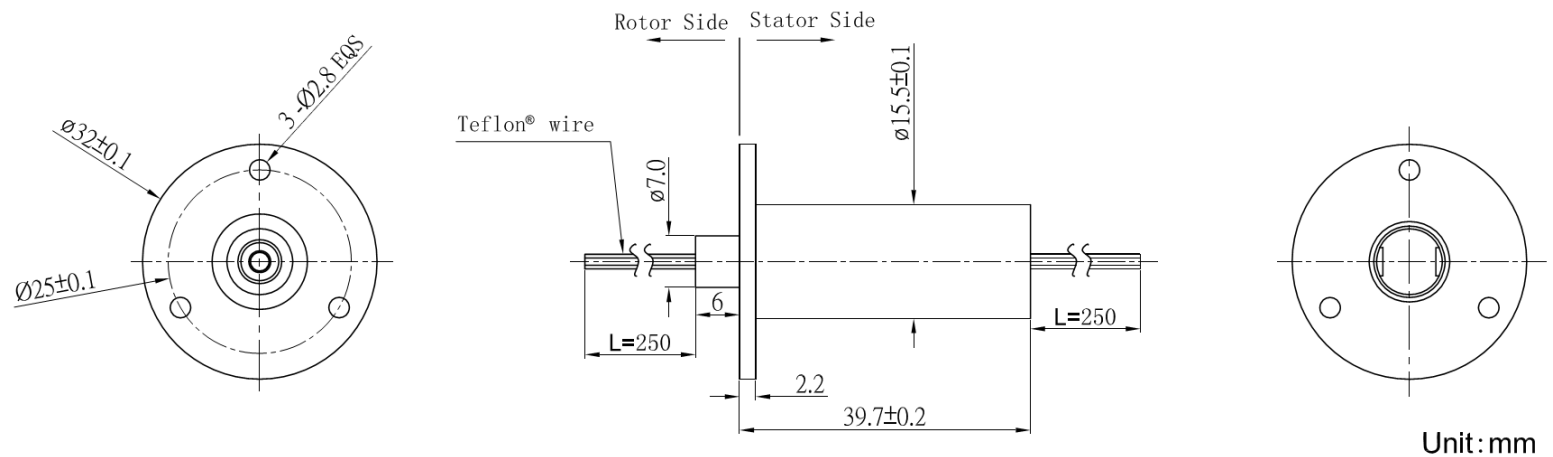
1. CCTV
2. Rotary table, exhibition/display equipment
3. Robotics
4. Medical equipment
5. Wind turbine generator
6. Industry process equipment

## Specification:

Specification	
Circuits	24 circuits
Work Speed	0-300RPM
Work Temperature	-20℃ -+60℃
Work Humidity	60%RH or higher
Voltage Rating	240VAC/DC
Current Rating	1A or higher
Dielectric Strength	500VAC@50Hz between each circuit
Insulation Resistance	1000MΩ@500VDC
Electrical Noise	1mΩ Min
Contact Materials	Gold to gold
Lead Wire Size	AWG30 Teflon® UL
Lead Wire Length	Standard 250mm
Housing Materials	Engineering plastic
Torque	≤0.15 gm ( for reference )
Protection	IP54 or higher

2

## Drawing:



If you have specific customized requirement, please feel free to consult us so that our sales engineer could recommend the most suitable product to you for your reference.