

## THW-0330

### General Description

Slip ring enjoys wide applications, also including wind turbine generator industry. The wind turbine slip ring of Barlin Times imported material from foreign country and established advanced production equipment, which lead to slip ring enjoys excellent performance of low temperature resistance, wind resistance, corrosion resistance, high humidity & protection, shock proof, maintenance free etc. Double gold contact design could guarantee longer working life time.

### Features:

1. Easy installation and easy to assembly
2. Anti-dust design & Anti-vibration design
3. Anti-interference design for signal transmission
4. Provide controller according to different environment
5. Peak current could be up to 60A
6. Multi points contact on each ring, compact structure

### Option:

1. Circuits & Current
2. Optical channel available
3. Housing materials
4. Harting connetor or as request
5. Transfer different data signal
6. Provide controller according to different environment
7. Small and medium size type are available



### Application

Wind turbine generator

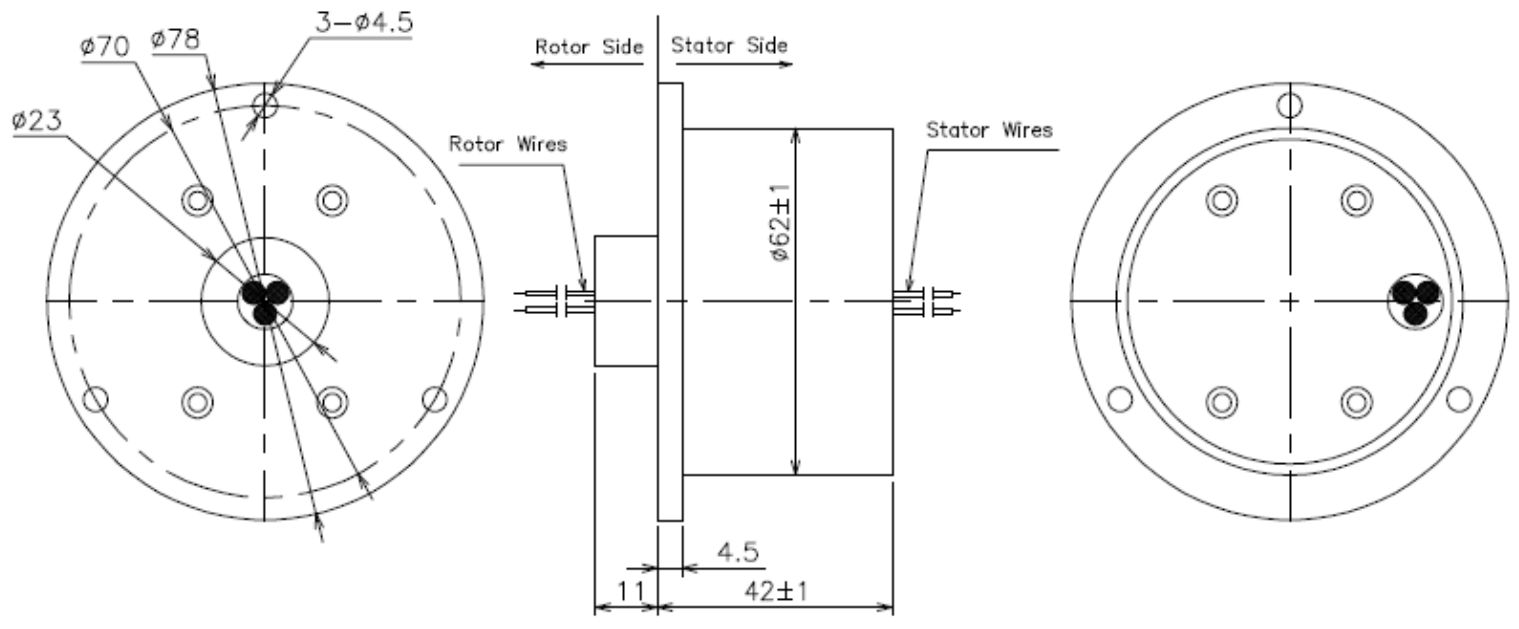
1

## Specification:

Specification	
Circuits	3 circuits
Work Speed	0-500RPM
Work Temperature	-20 C - +80 C
Work Humidity	60%RH or higher
Voltage Rating	380VAC/DC
Current Rating	30A
Dielectric Strength	500VAC@50Hz between each circuit
Insulation Resistance	1000MΩ@500VDC
Electrical Noise	≤10mΩ
Contact Materials	Precious metal
Lead Wire Size	AWG12 Teflon® UL
Lead Wire Length	Standard 300mm
Housing Materials	Metal housing
Protection	IP54 or higher

## Drawing:

2



If you have specific customized requirement, please feel free to consult us so that our sales engineer could recommend the most suitable product to you for you reference.