

THS-03

General Description

Separate slip ring consists of two parts separately, one part is rotor, another one is brush block. One of the rotor part can have through bore type, it uses for liquid channel, pneumatic channel or shaft assembly, which can be specially suitable for space limitations and installation demand in the system of customer. Meanwhile, this kind of slip ring could use pin instead of lead wire to pass bigger current. Contact materials play a very important key in the performance of total separate slip ring. We adopt the best gold plated contact materials to meet the main performance feature of wear resistant, high temperature resistant, low resistance and so on.

Features:

1. Rotor and brush block separately
2. Gold to gold contact materials could guarantee longer life time
3. Compact design and easy to installation
4. Transmit power and signal data
5. Low noise and resistance

Option:

1. Circuits & Current
2. Work speed
3. Dimension
4. Lead wire length
5. Contact materials and housing materials



Application

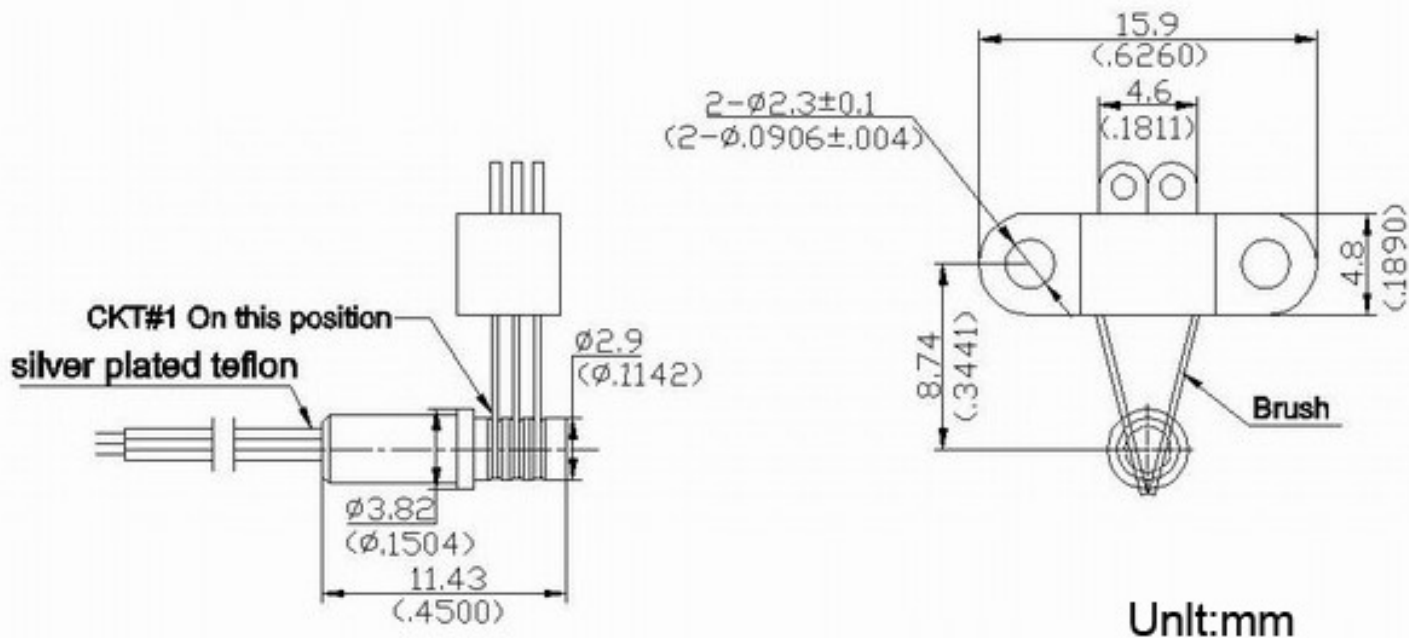
1. CCTV
2. Robotics, medical machine
3. Test instrument
4. Military system, aviation
5. Manufacturing and process equipment

Specification:

Specification	
Circuits	3 circuits
Work Speed	0-300RPM
Work Temperature	-20℃ - +60℃
Work Humidity	60%RH or higher
Voltage Rating	240VAC/DC
Current Rating	2A or higher
Dielectric Strength	500VAC@50Hz between each circuit
Insulation Resistance	1000MΩ@500VDC
Electrical Noise	1mΩ Min
Contact Materials	Gold to gold
Lead Wire Size	AWG32 Teflon® UL
Lead Wire Length	Standard 250mm
Housing Materials	Engineering plastic
Protection	IP54 or higher

Drawing:

2



If you have specific customized requirement, please feel free to consult us so that our sales engineer could recommend the most suitable product to you for you reference.